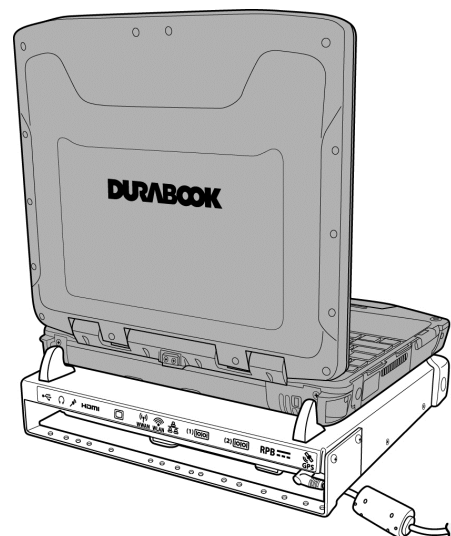


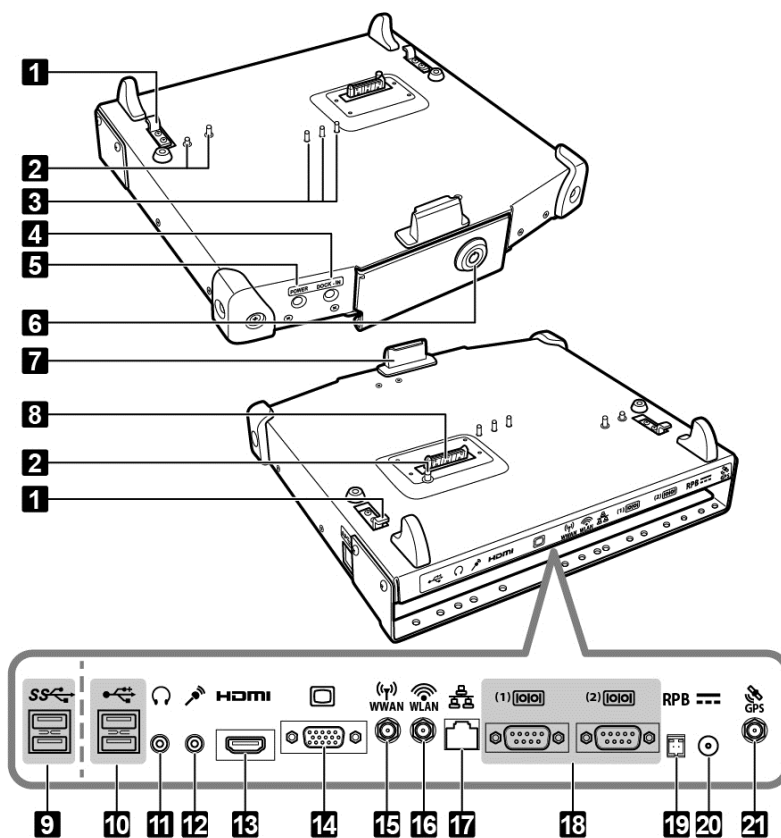
R13S/R8300R2 – Vehicle Docking

User Guide



Product Overview

No.	Item
1	Latches
2	Alignment Posts
3	Triple RF Pass-Thru Connectors
4	Docked LED
5	Power LED
6	Latch Tray (with key slot)
7	Clamp
8	Docking Connector
9	USB3.0 Ports (x2)
10	USB2.0 Ports (x2)
11	Audio Out Jack
12	Microphone Input Jack
13	HDMI Port
14	VGA Port
15	WWAN Antenna Connector (Optional)
16	WLAN Antenna Connector (Optional)
17	Ethernet Port
18	Serial Port 1 (COM1) Serial Port 2 (COM2)
19	RPB Connector
20	DC-IN Jack*
21	GPS Antenna Connector (Optional)



*Please contact dealer for appropriate adapter.

NOTE: The following is the behavior of the LED indicators:

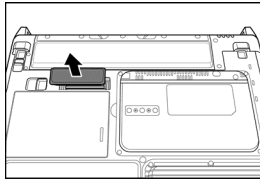
- **Power LED Indicator:** When the AC/DC adapter is plugged into the Vehicle Dock, the *Power* LED indicator is lit.
- **Docked LED Indicator:** When the R13S/R8300R2 Laptop is docked, the *Docked* LED indicator is lit.

WARNING: Do not remove the Laptop when the *Docked* LED indicator is lit or data loss could occur.

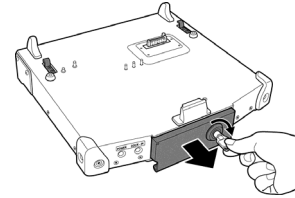
R13S/R8300R2 – Vehicle Docking

Docking the Laptop

1. Remove the protective rubber cover of the docking connector on the Laptop.

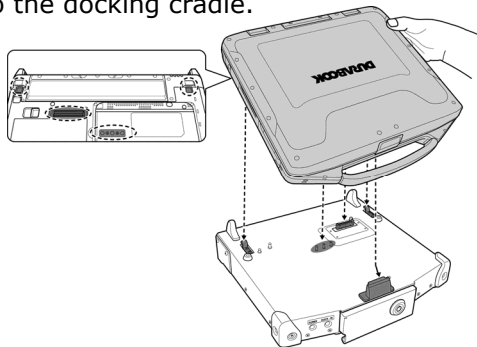


2. Insert the latch tray key into the key hole on the tray and turn the key clockwise. Then pull the latch tray forward to retract the tray.

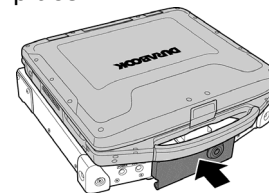


NOTE: The latch tray is locked during packaging.

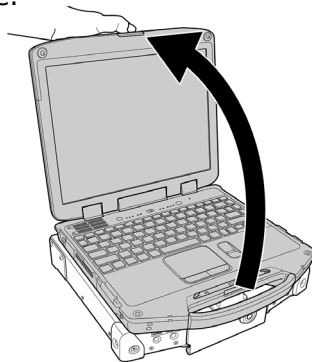
3. Align the Laptop with the alignment posts and docking connector, and then place the Laptop onto the docking cradle.



4. Push the latch tray toward the cradle to secure the Laptop in place.



5. Open the lid of the Laptop. The Laptop is now ready to use.



Undocking the Laptop

1. Insert the latch tray key into the key hole on the tray and turn the key clockwise. Then pull the latch tray forward to retract the tray.
2. Starting from the rear side of the Laptop, slightly lift to disengage the docking connection. Then release the Laptop from the clamp and remove it from the docking cradle.

