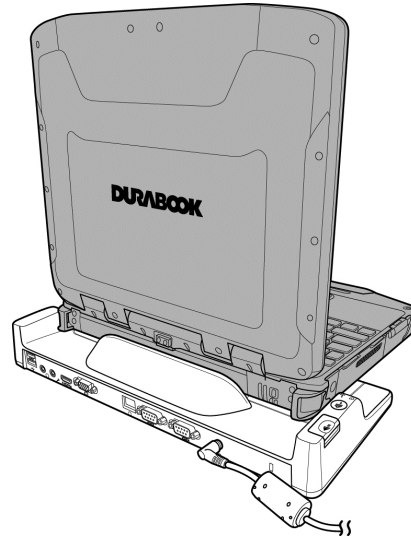


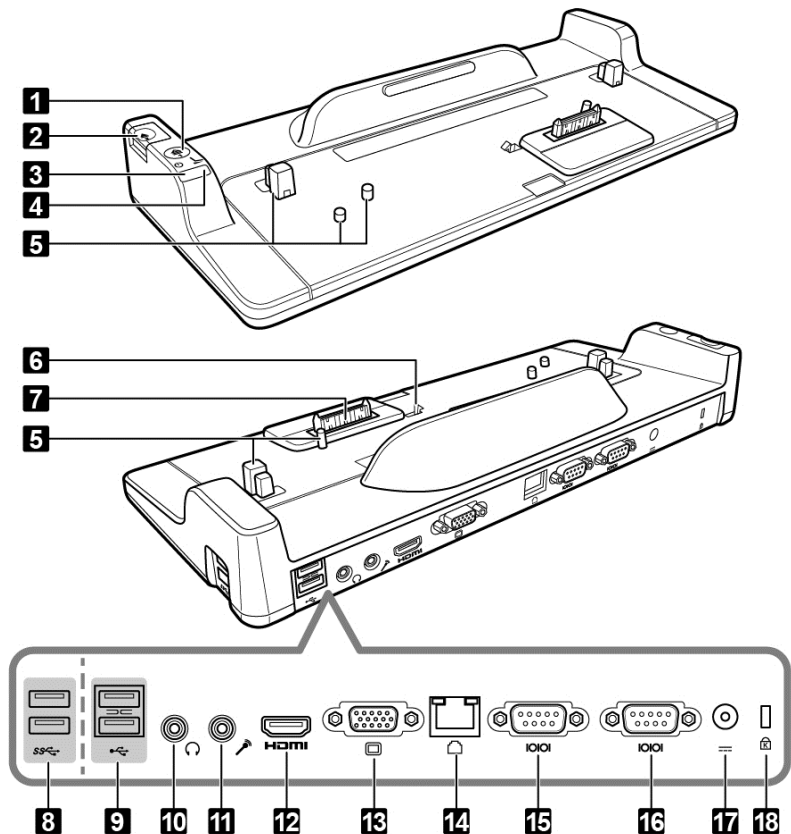
R13S/R8300R2 – Office Docking

User Guide



Product Overview

No.	Item
1	Undock Request Button
2	Release Button
3	Power LED
4	Docked LED
5	Alignment Posts
6	Latch
7	Docking Connector
8	2x USB3.0 Ports
9	2x USB2.0 Ports
10	Audio Out Jack
11	Microphone Input Jack
12	HDMI Port
13	VGA Port
14	Ethernet Port
15	Serial Port 1 (COM1)
16	Serial Port 2 (COM2)
17	DC-IN Jack*
18	Kensington Lock Slot (dock only)



*Please contact dealer for appropriate adapter.

NOTE: The following is the behavior of the LED indicators:

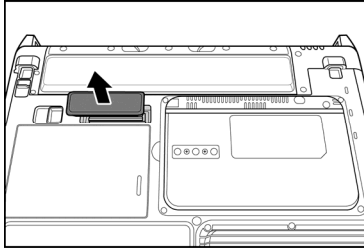
- **Power LED Indicator:** When the AC/DC adapter is plugged into the Office Dock, the *Power LED* indicator is lit.
- **Docked LED Indicator:** When the R13S/R8300R2 Laptop is docked, the *Docked LED* indicator is lit.

WARNING: Do not remove the Laptop when the *Docked LED* indicator is lit or data loss could occur.

R13S/R8300R2 – Office Docking

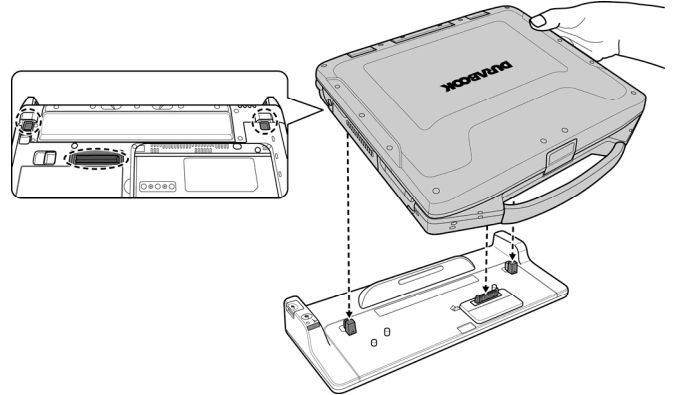
Docking the Laptop

1. Remove the protective rubber cover of the docking connector on the Laptop.

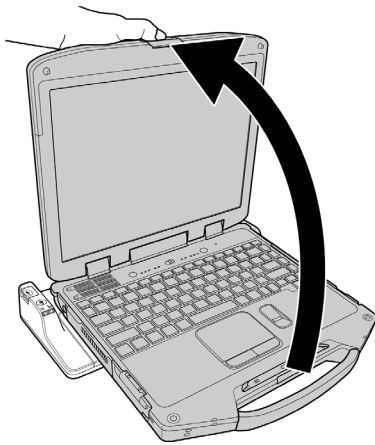


2. Align the Laptop by the alignment posts and docking connector and then place the Laptop onto the docking cradle.

Slightly press to secure the Laptop onto the docking cradle. The *Power* and *Docked* LED indicators will light on.

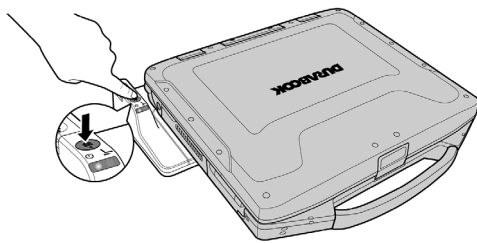


3. Open the lid of the Laptop. The Laptop is ready to use.

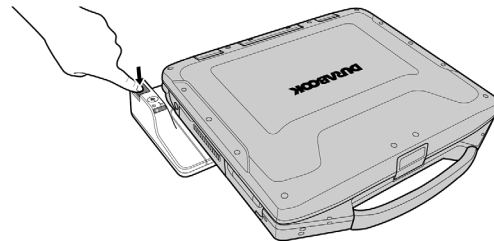


Undocking the Laptop

1. Push the **Undock Request** button. The *Docked* LED indicator turns off.



2. Push the **Release** button.



3. Lift to remove the Laptop.

