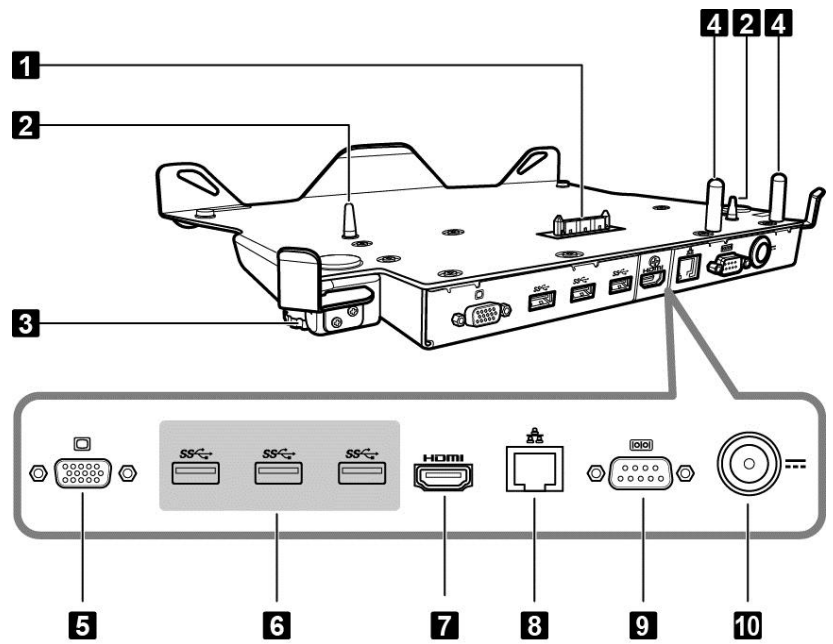


# OD-SA14S – Office Docking

## Product Overview

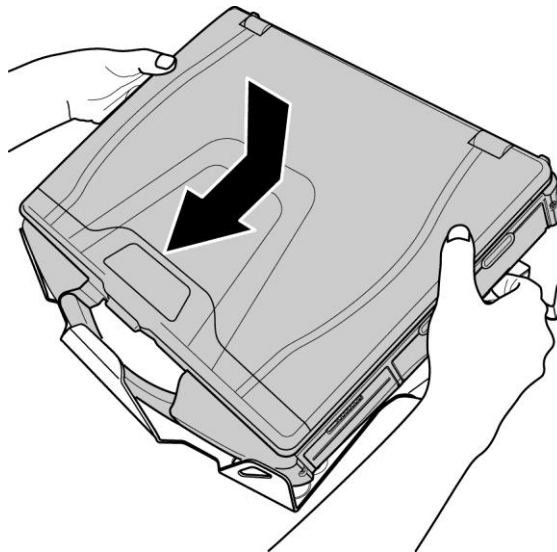
No.	Item
1	Terminal
2	Guide-Pins
3	Elevator Foot
4	Protect-Pins
5	VGA Port
6	USB ports
7	HDMI port
8	LAN (RJ-45) port
9	Serial port (RS-232)
10	DC-in jack *

\*Please contact dealer for appropriate adapter.

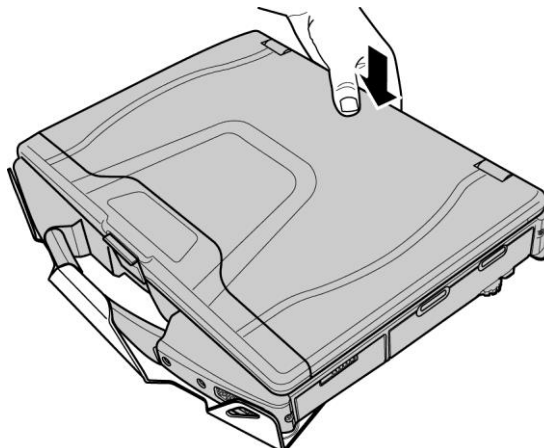


## Docking the SA14S Notebook

1. Align the SA14S Notebook by the guide-pins and terminal contact and then place the SA14S Notebook onto the docking cradle.  
**Be sure to insert the handle side first as shown the illustration.**



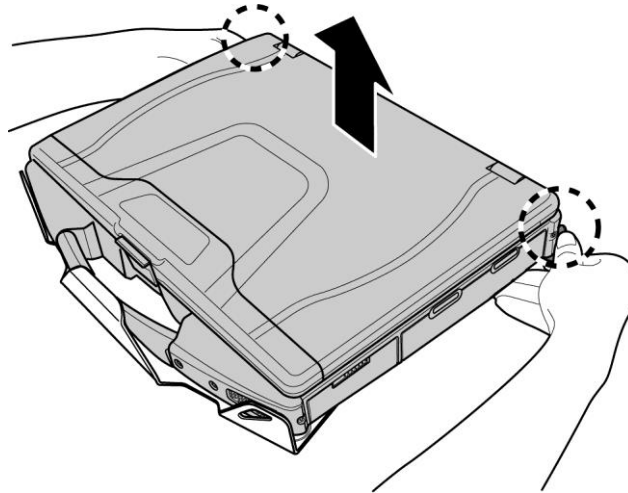
2. Push the SA14S Notebook down firmly until it clicks into place.



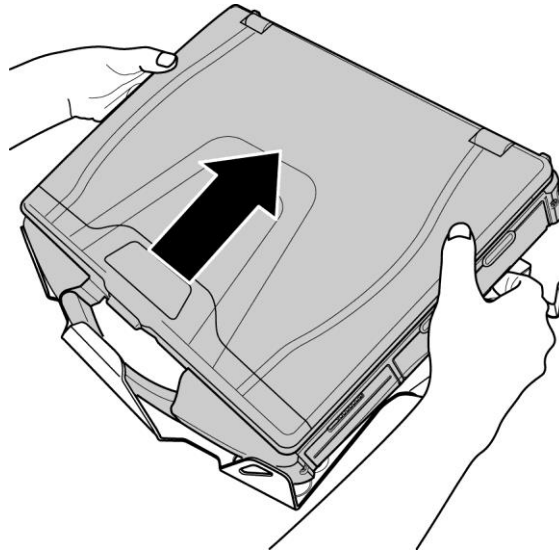
# OD-SA14S – Office Docking

## Undocking the SA14S Notebook

1. Push the bottom side of the SA14S Notebook upwards to disengage the connection.  
**Be sure the device is properly turned off.**

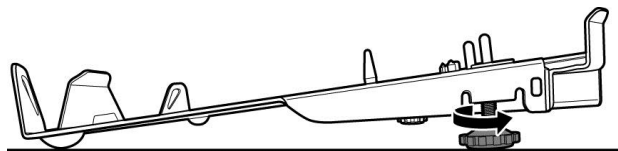


2. Lift to remove the SA14S Notebook.



### Note:

- The docking cradle is equipped with 2 elevator feet. When you place the docking cradle on an unlevel surface, rotate the elevator foot counterclockwise to adjust the height at your preference.



- When the operating the device using the docking cradle, the LAN port on the left side notebook (as marked the illustration) will be disabled.  
On the other hand, if your SA14S Notebook is equipped LAN2 port (on the right side panel), the LAN2 port functionality will not be affected.

