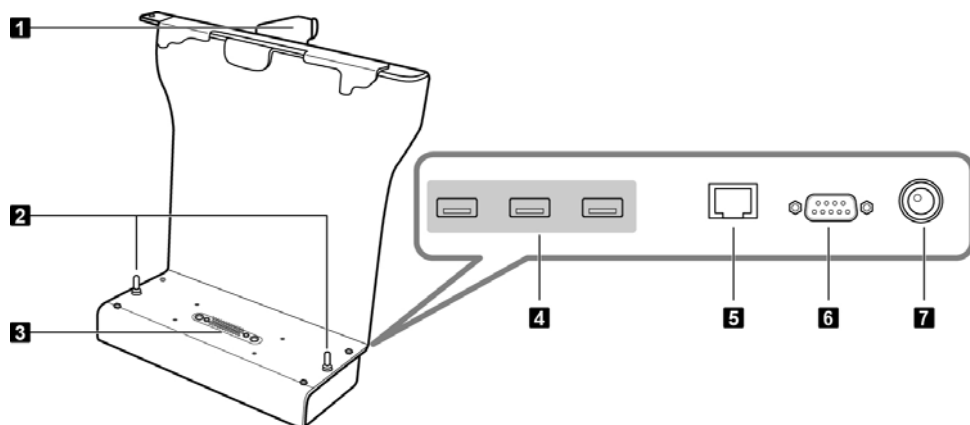


# ADK03T – Office Docking

## Product Overview

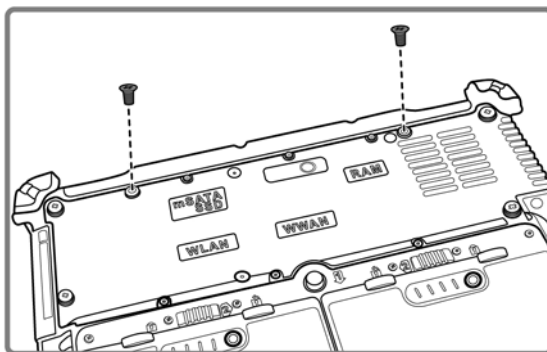
No.	Item
1	Latch
2	Guide-Pins
3	Terminal
4	USB Ports
5	LAN (RJ-45) port
6	Serial port (RS-232)
7	DC-in jack *



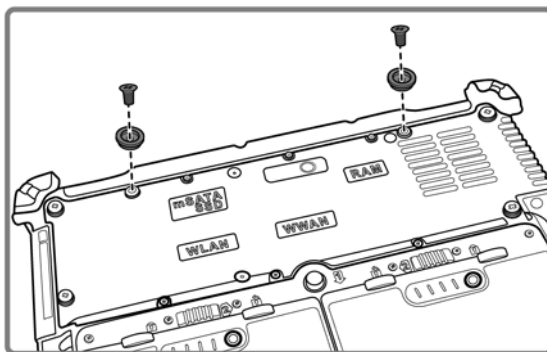
\*Please contact dealer for appropriate adapter.

## Installing the Holding Bushing

1. Place the tablet PC on the stable place and remove the two screws at the back of the device as shown in the illustration.



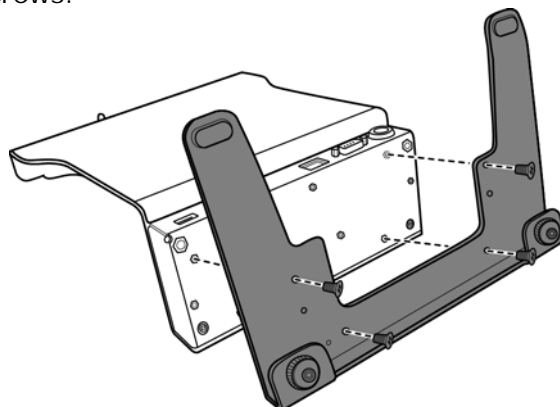
2. Align the **holding bushing** with the screw hole. Hold the **holding bushing** firmly in place while securing it with the respective screw.



# ADK03T – Office Docking

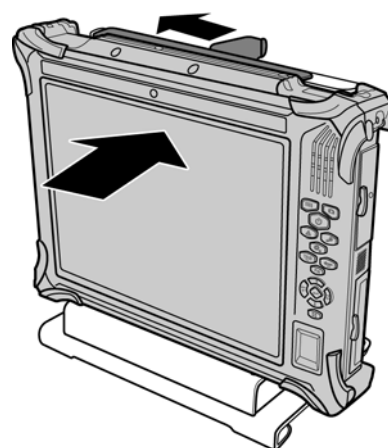
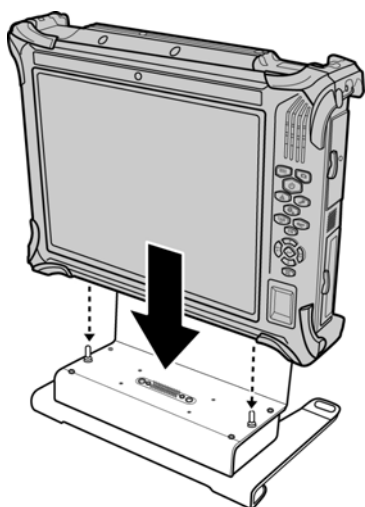
## Installing the Stand

Align the stand holes with the holes at the bottom of the docking cradle as shown in the illustration. Then secure it with the four included screws.



## Docking the Tablet PC

1. Align the Tablet PC by the guide-pins and terminal contact and then place the Tablet PC slantly onto the docking cradle.
2. To release the latch plate, pull and hold the latch to the left as shown in the illustration. Then, push the device towards the back of the docking cradle.



3. Be sure the latch plate is aligned with the **holding bushing** at the back of the device. Then, release the latch to secure the Tablet PC in place.

